

A. G. COX.
 COMBINED SCHOOL DESK AND SEAT.
 APPLICATION FILED MAY 5, 1908.

923,814.

Patented June 8, 1909.

Fig. 1.

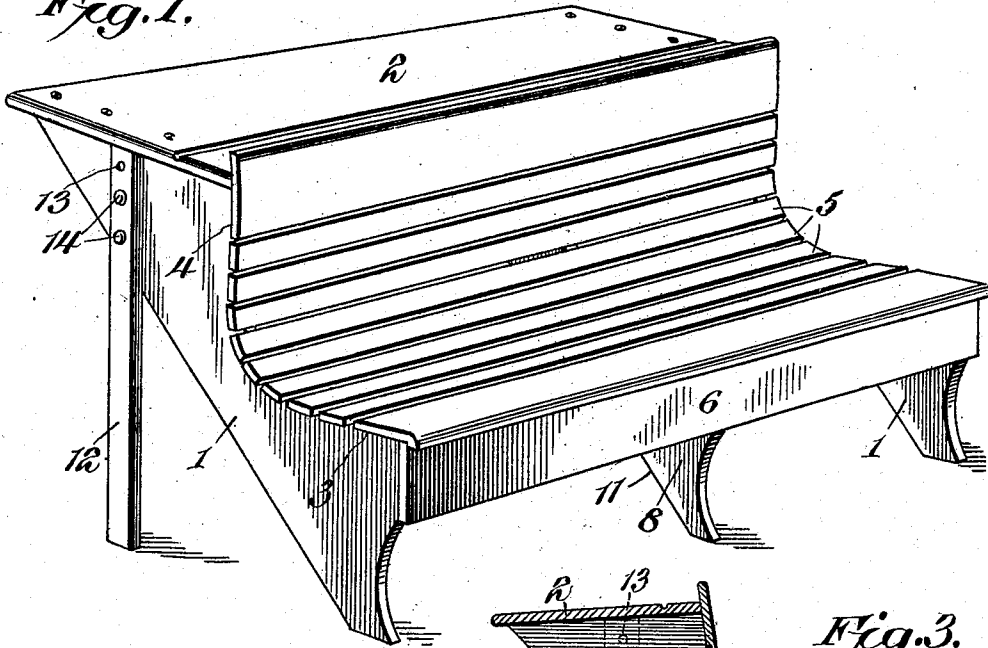


Fig. 2.

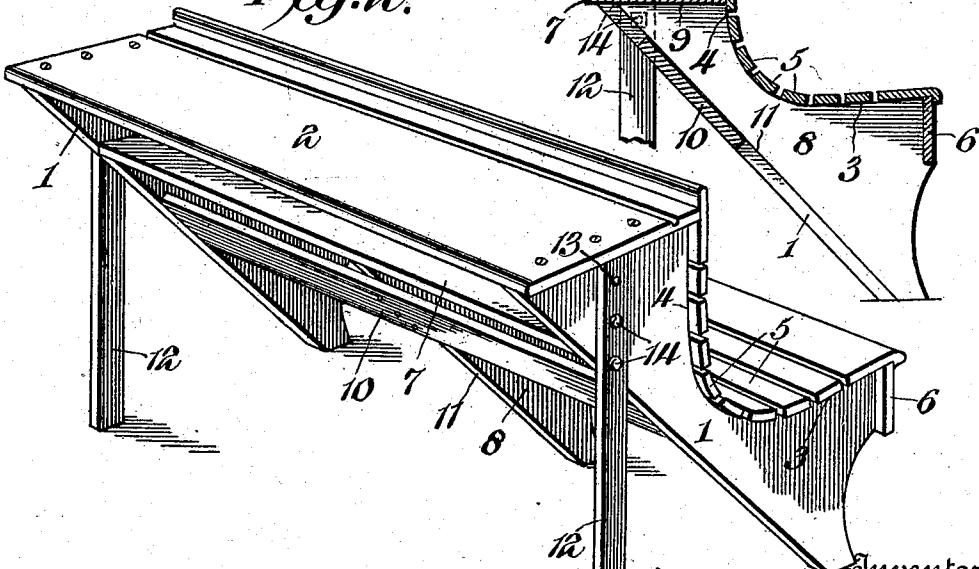
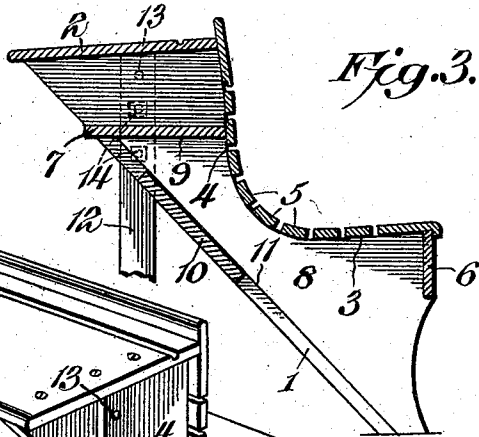


Fig. 3.



Witnesses
 Howard D. Orr.
 H. J. Rey

Inventor,
 Amos G. Cox,
 By
 E. J. Siggers
 Attorney

UNITED STATES PATENT OFFICE.

AMOS GRAVES COX, OF WINTERVILLE, NORTH CAROLINA, ASSIGNOR TO THE A. G. COX MFG. CO., OF WINTERVILLE, NORTH CAROLINA.

COMBINED SCHOOL DESK AND SEAT.

No. 923,814.

Specification of Letters Patent.

Patented June 8, 1909.

Application filed May 5, 1908. Serial No. 431,018.

To all whom it may concern:

Be it known that I, Amos G. Cox, a citizen of the United States, residing at Winterville, in the county of Pitt and State of North Carolina, have invented a new and useful Combined School Desk and Seat, of which the following is a specification.

The invention relates to combined school desks and seats.

The object of the present invention is to improve the construction of combined school desks and seats, and to provide a simple and comparatively inexpensive one of great strength and durability, adapted to accommodate a plurality of pupils, and capable of adjustment to secure the desired tilt to the top of the desk so as to render the same comfortable to the pupils.

A further object of the invention is to provide for school desks having slatted seats and backs a guard adapted to shield from view the knees and upper portions of the legs of the pupil or pupils using the desk, so as to prevent any disarrangement of the dress of such pupil or pupils from attracting the attention of the pupil or pupils sitting in front of the desk.

With these and other objects in view, the invention consists in the construction and novel combination of parts hereinafter fully described, illustrated in the accompanying drawing, and pointed out in the claim hereto appended; it being understood that various changes in the form, proportion, size and minor details of construction, within the scope of the claim, may be resorted to without departing from the spirit or sacrificing any of the advantages of the invention.

In the drawing:—Figure 1 is a perspective view of a school desk, constructed in accordance with this invention, showing the front of the same. Fig. 2 is a similar view, showing the back of the desk. Fig. 3 is a vertical sectional view of the desk.

Like numerals of reference designate corresponding parts in all the figures of the drawing.

The combined school desk and seat has inclined sides 1, supporting the top 2 of the desk and forming front legs. The upper edges of the sides 1 are arranged at a slight inclination, and the top 2 of the desk is suitably secured to the said sides. The sides, which have straight inclined rear edges, are provided at their front edges with horizontal

portions 3 and substantially vertical portions 4, to which slats 5 are secured to form the seat and back of the same. The slats, which are flexible, are arranged in spaced relation, and the slat-receiving edges of the sides 1 are curved, as shown at the rear portion of the seat where the same merges into the back. The sides are also connected by a lower front cross piece 6, which depends from the front portion of the seat.

The desk is provided with a horizontal book shelf 7, secured to the sides 1 at the inner faces thereof and arranged below and in spaced relation with the top 2 of the desk, as clearly illustrated in Figs. 2 and 3 of the drawing. The flexible slats 5 and the shelf 7 are supported by an intermediate inclined support 8, arranged in spaced relation with the sides of the desk and having front edges conforming to the configuration of the same and receiving the slats 5, which form the seat and the lower portion of the back of the same. The upper edge 9 of the intermediate support is horizontal and fits against the lower face of the book shelf.

The desk is equipped with an inclined board 10, constituting a screen or guard arranged in flush relation with the straight inclined rear edges of the sides 1 and secured to the latter and to the rear edge 11 of the intermediate support 8. The intermediate support 8 has a straight inclined edge, located slightly in advance of the plane of the straight inclined rear edges of the sides 1, as clearly shown in Fig. 3 of the drawing. The inclined guard 10, which is located back of the seat of the desk, extends above and below the seat and is arranged to shield the knees and upper portions of the legs of the pupil or pupils occupying the desk; and it will cut off the view through the intervening openings between the spaced slats 5 and will prevent any disarrangement of the dress of such pupil or pupils from attracting the attention of the pupil or pupils occupying the seat in front of the desk. The guard also greatly increases the strength and stability of the desk.

The desk is provided with vertical rear legs 12, provided at their upper portions with a series of perforations 13, adapted to receive bolts 14 for adjustably securing the upper portions of the sides of the desk to the rear legs, whereby the desk may be raised and lowered to secure the desired tilt so as to

render the desk as comfortable as possible to the pupils using the same.

Having thus fully described my invention, what I claim as new and desire to secure by Letters Patent, is:—

5 A school desk including inclined sides forming front legs and provided with inclined rear edges, a top supported by the sides and projecting beyond the outer faces
10 of the same, spaced slats connecting the sides at the front edges thereof and forming a seat and a back for the same, a shelf connecting the sides below the top, an inclined intermediate support spaced from the sides and supporting the seat, the slats and the shelf, a
15 transverse board arranged between the sides

in flush relation with the inclined rear edges thereof and secured to the said sides and to the intermediate support and located in rear of the same and projecting above and below 20 the plane of the seat, and rear legs secured to the outer faces of the sides and having their upper ends fitted against the lower faces of the top of the desk at the projecting portions thereof. 25

In testimony, that I claim the foregoing as my own, I have hereto affixed my signature in the presence of two witnesses.

AMOS GRAVES COX.

Witnesses:

A. W. AUGE,

F. A. EDMUNDSON.