

Oct. 7, 1924.

1,511,036

G. W. HEMBY

COFFIN LID

Original Filed March 16, 1922

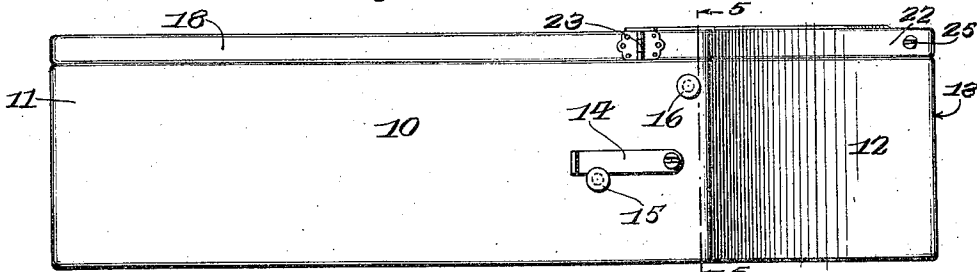


Fig. 1.

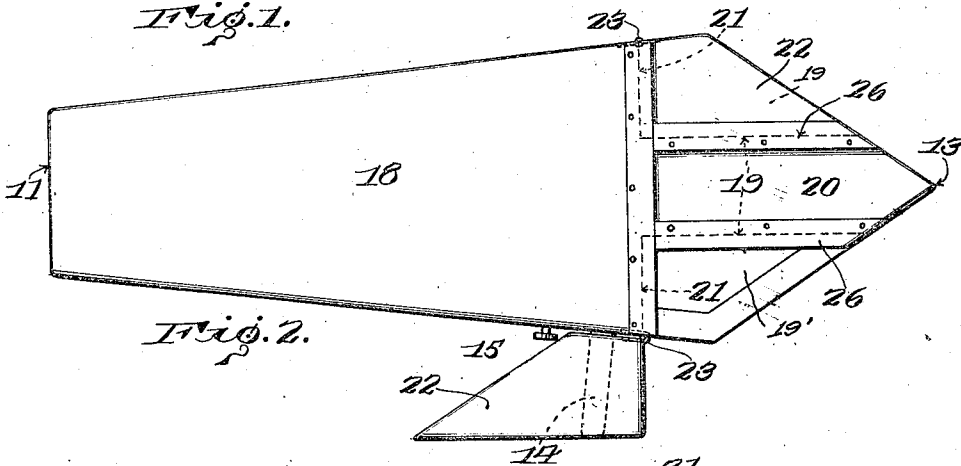


Fig. 2.

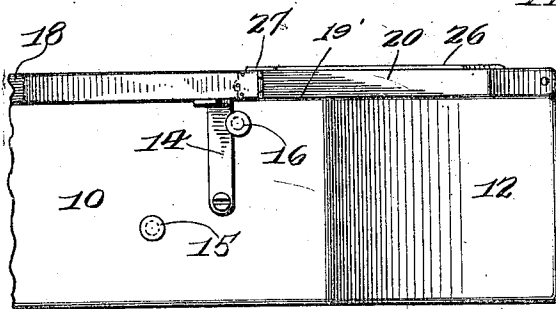


Fig. 4.

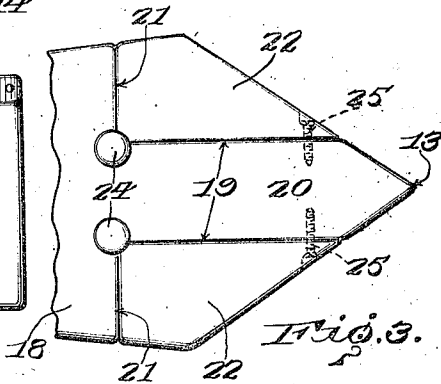


Fig. 3.

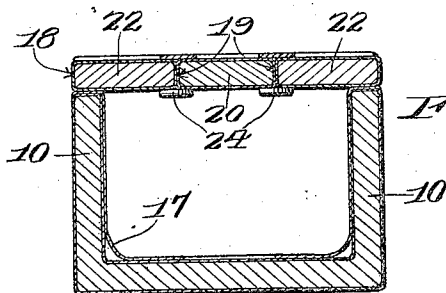


Fig. 5.

Inventor

George W. Hemby

Grace C. Hemby

By

Attorney

UNITED STATES PATENT OFFICE.

GEORGE W. HEMBY, OF GREENVILLE, NORTH CAROLINA.

COFFIN LID.

Application filed March 16, 1922, Serial No. 544,205. Renewed March 12, 1924.

To all whom it may concern:

Be it known that I, GEORGE W. HEMBY, a citizen of the United States, residing at Greenville, in the county of Pitt, State of North Carolina, have invented certain new and useful Improvements in Coffin Lids; and I do hereby declare the following to be a full, clear, and exact description of the invention, such as will enable others skilled in the art to which it appertains to make and use the same.

This invention relates to new and useful improvements in coffin lids.

One object of the invention is to provide a coffin which is extremely simple and cheap in its construction, and which is strong and durable.

Another object is to provide a coffin having a lid provided with sectional doors, with novel means on the body of the coffin for supporting these doors together in open position so that vases containing flowers may be placed thereon.

Another object is to provide a coffin lid of such construction that the corpse will be firmly held against movement while the coffin is being transported in a vehicle.

A further object of the invention is to provide a coffin lid having a pair of outwardly swinging doors which permit a side view of the face of the corpse and means for bracing the inner corners of the doors when in closed position, to prevent sagging.

Other objects and advantages will be apparent from the following description when taken in connection with the accompanying drawing.

In the drawing:

Figure 1 is a side elevation of a coffin and lid, made in accordance with the invention.

Figure 2 is a top plan view showing one of the doors in open position.

Figure 3 is a bottom plan view of the head end of the lid, showing the doors in closed position.

Figure 4 is a side elevation of the head end of a coffin and lid, showing one of the doors in open position.

Figure 5 is a transverse sectional view on the line 5-5 of Figure 1.

Referring particularly to the accompanying drawing the body or box of the coffin has the side walls 10, which converge toward the foot 11, of the coffin, and from the

other ends thereof extend the shorter walls 12, which converge to a point at the head of the coffin, as shown at 13. Pivotaly mounted on the outer sides of the longer walls 10, adjacent the angles between the walls 10 and 12, are the angle brackets 14. A pair of stops 15 and 16 are mounted on the side of the coffin to limit the swinging movement of the brackets from elevated to lowered positions. The exterior of the coffin is painted in imitation of the various kinds of woods, and the interior is lined with any desired fabric 17, which is secured therein by any suitable means, such as an adhesive or by tacks.

Disposed on the top of the coffin is the lid 18, the same corresponding in outline with the plan view of the coffin box. The upper, or head end of the lid is cut along longitudinal parallel lines 19 from a point slightly inward from the point 13 to points slightly beyond the angles between the longer and shorter side walls thereof. This leaves a strip 20, of approximately 4" wide, in a full sized coffin lid, extending to and being supported on the head of the coffin box. The lid is cut inwardly from the opposite sides 21, at right-angles to, and meeting the lines 19, to form lateral recesses 19' in which are disposed the doors 22. These doors are connected to the outer faces of the longer walls of the lid, by means of the hinges 23.

Driven in the under face of the coffin lid at points adjacent the intersection of lines 19 and 21, are the members 24, the heads of which under-lye the inner corners of the doors, when said doors are in closed position, to serve as additional supporting means for the doors. The outer or free ends of the doors 22, are secured to the strip 20 when in closed position by means of the screws 25. Secured to the upper face of the lid, and directly to the strip 20 are the flat strips 26, which extend slightly beyond the side edges of the strip 20, so as to partially overlie the inner edges of the doors when in closed position, so as to prevent the escape of odors from the coffin. A similar strip 27, is secured to the main or body portion of the lid and extends longitudinally over the joint between the doors and the said main or body portion for a purpose similar to the strips 26.

It will be noted that the angle brackets

carried by the sides of the box are so arranged that, when swung into upper position, provide supporting rests for the doors, when said doors are open. These doors when
 5 open and supported on the brackets serve as shelves for vases or jars of flowers or floral pieces.

What is claimed is:

1. A coffin comprising a box, a lid for
 10 the box, the head portion of the lid being longitudinally and transversely cut away, doors connected to the lid and movable in a horizontal plane into and out of the cut away portions, and movable means carried
 15 by the box of the coffin for supporting the doors in open position.

2. A coffin comprising a box and a lid therefor, movably mounted brackets on the box, and horizontally swingable doors on the

side portions of the head of the lid for supporting engagement on the brackets. 20

3. A coffin lid comprising a main or body portion, the head end of the body portion being formed with lateral recesses, doors hinged to the lid for movement into and
 25 out of the recesses, strips carried by the lid and overlying the joints of the doors when in closed position, and means carried by the lower face of the lid and underlying the inner corners of the doors as supports there- 30 for when in closed position.

In testimony whereof, I affix my signature, in the presence of two witnesses.

GEORGE W. HEMBY.

Witnesses:

ALBION DUNN,
 M. MERONEY.